

... od vývoje po realizaci



Production of materials testing equipment and automation

Electromechanical testing machines series
LabTest E.2 up to 20kN



Made in Czech Republic



Production of materials testing equipment and automation

Electromechanical testing machines E.2

LabTest 6.10 - 6.20

... From development to implementation

Basic description

Electromechanical testing machines of series E.2 in double-column stand design up to 20 kN are universal static testing systems suitable for both research and development as well as common quality control in laboratories and factories. Combined with an extensive range of accessories, it is safe and efficient to test the materials and entire products on the machine in tension, pressure, bending, shear and torsion, be it for plastics, metals, composites, paper, polyurethanes, etc.



Main advantages and functions

- Ball screws with preload, massive crossbar, accurate drive and especially the side linear guide contribute to better utilization of power, almost no deformation of the frame, ideal energy absorption and implementation of optional off-axial loading of the specimen.
- The key strength of the E.2 series is the robustness, rigidity, durability and mechanical resistance of the test frame to vibration and mechanical damage. These properties make it possible to test high strength materials such as aerospace composites, metal alloys, advanced composites, automotive structures and crystalline polymers.
- Easy access to the test area is very important for the operator. Our machines are at a very high ergonomic level with easy handling of metal specimens, fasteners or composite materials.
- High machine operator comfort. The device can be tailored to the customer's specific requirements, for example by extending the test frame, creating the upper and lower working space, multiple workspaces side by side, using one load cell for 2 workspaces, higher speeds etc.

- Low-noise, high-resolution AC servo drive, quiet and precise, provides precise machine control in power and positioning loops. These drives excel at high return speeds that are significantly above the nominal testing speeds.
- Option of the electromechanical machine control including control of clamping grips and extensometers via the remote control RMCi 7.
- By using peripheral ITEM profiles, we fulfil the idea of a modular machine arrangement with the possibility of adding any LABORTECH accessories, including extensometers, temperature chambers, probes, fixtures, protective safety covers, hydraulic power units etc.

Measuring and control machine electronics

New fast, accurate and reliable EDCi measuring and control electronics with variable sampling system up to 10kHz, 64 bit internal accuracy, 32 bit measurement and 24 bit resolution ADCs. Modular system with the possibility of extending the measurement up to 16 sensors. SAFETY with new safety features according to ENB ISO 13850-SIL 1 / PL.



Force measuring system

- The E-series load cells are ideal for tensile, compression, bending and cyclic tests. They are characterized by high resistance to lateral forces, bending moments and high overload resistance. Accuracy class according to EN ISO 7500-1, ASTM E4 is commonplace. Each sensor is equipped with an SGS connector with an integrated EEPROM to which the calibration constant and linearization can be configured.
- The accuracy class of the load cells supplied by us is 0,5 or 1.
- The load cell type is always chosen according to the type of the testing and test fixtures used.

Basic features of Test & Motion® software

- Intelligent software designed for tensile and compression testing
- Unlimited number of test methods depending on EN, ISO, ASTM, GOST standard or customer method
- A modular system of libraries designed for standardized tests – selection for activation
- Evaluation of optional parameters: maximum force, strength, elongation, elongation, tension of 5 different reference points.
- Real-time graph, individual processing after test
- Bulk Charts, zoom, serial testing



- Statistical evaluation
- Graphical editor of protocol design
- Any setting of windows and appearance of the environment, anchoring
- Data export to ASCII, EXCEL, WORD, Eclipse, Diadem, Q-DAS, 9 language mutations (Cz, En, Ge, Fr, Pol, It, Sp, Ru, Du)
- Unlimited license
- Installation on any computer without a license, FREE DEMO
- Compatibility with every EDC or EDCi system from LABORTECH

Safety and service life requirements

- LABORTECH machines, based on their design and construction, comply with all of the above EC Machinery and Equipment Directives.
- The customer always receives an EC declaration of conformity.
- Only state-of-the-art safety technology and proven industrial components operating in accordance with the new ENB ISO 13850-SIL 1 / PL safety features are used.
- Spare parts are available 10 years after the end of the machine type production.

... From development to implementation

Labor Tech

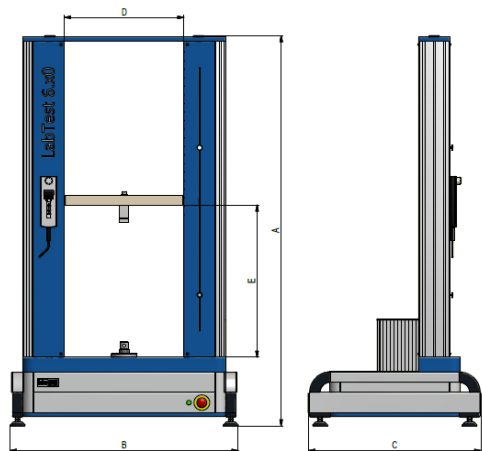
Production of materials testing equipment and automation

Electromechanical testing machines E.2

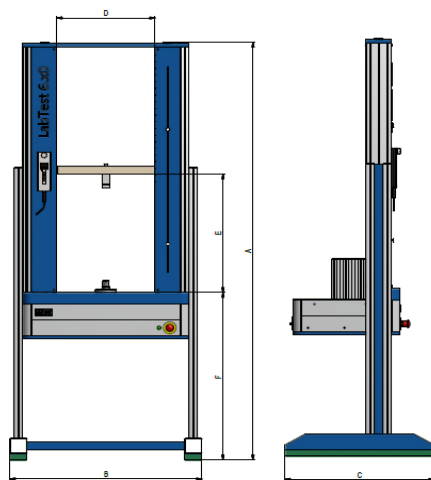
LabTest 6.10 - 6.20

... From development to implementation

Benchtop design



Floortop design



Technical data	Units	6.10.1.10	6.10.1.20	6.10.1.30	6.10.1.11	6.10.1.21	6.10.1.31	6.20.1.10	6.20.1.20	6.20.1.30	6.20.1.11	6.20.1.21	6.20.1.31
Nominal load tension/pressure	kN	10						20					
Number of columns								2					
Number of ball screws								2					
Number of linear guides								2+2					
Minimal testing speed	mm/min	0,0005						0,0005					
Maximal testing speed	mm/min	2000						1500					
Machine drive resolution	µm	0,0651						0,0462					
Repeatability of the crossbar position	µm	±1						±1					
Weight ¹	kg	180	205	229	210	236	273	200	220	249	230	256	293
Dimensions²													
Machine height (A)	mm	1530	2130	2730	1530	2130	2730	1530	2130	2730	1530	2130	2730
Machine width (B)	mm	877		877	1067	1067	1067	877	877	877	1067	1067	1067
Machine depth (C)	mm	663		663	663	663	663	663	663	663	663	663	663
Width of workspace (D)	mm	460			650			460			650		
Height of workspace(E)	mm	1100	1700	2300	1100	1700	2300	1100	1700	2300	1100	1700	2300
Environmental conditions													
Work environment temperature	°C	od 10 do 35											
Storage temperature	°C	od -35 do 55											
Humidity range	%	< 90											
Noise level ³	dB	< 65											
Electrical connection													
Supply voltage	V	230 ... 240 / 50-60Hz						230 ... 240 / 50-60Hz					
Fuse	A	16						16					
Power rating (without accessories)	kVA	1,3						1,3					

¹Without accessories , ² **Changed technical data for 6.20 – floortop version:** extension of dimension A +230 or 580mm, B +23mm, C +237 mm, F +500 or +850mm. Stand weight 48 kg. ³Measured at 1 m distance from the machine without load.

... From development to implementation

LABORTECH in the world



Contact:

LABORTECH s.r.o.

Rolnická 130a, 747 05 Opava, Czech Republic

Phone: +420 553 731 956, +420 553 668 648

E-mail: info@labortech.cz

Web: www.labortech.cz

GPS: 49°57'05.1"N

17°54'04.4"E

LABORTECH TRADING s.r.o.

Areál VVÚD Praha, Na Florenci 1686/9, 111 71 PRAHA 1, Czech Republic

Phone: +420 731 656 723, +420 724 020 052

E-mail: trading@labortech.cz

Web: www.labortech.eu

Labor Tech

Production of materials testing
equipment and automation

LABORTECH in the
world

... from development to
implementation